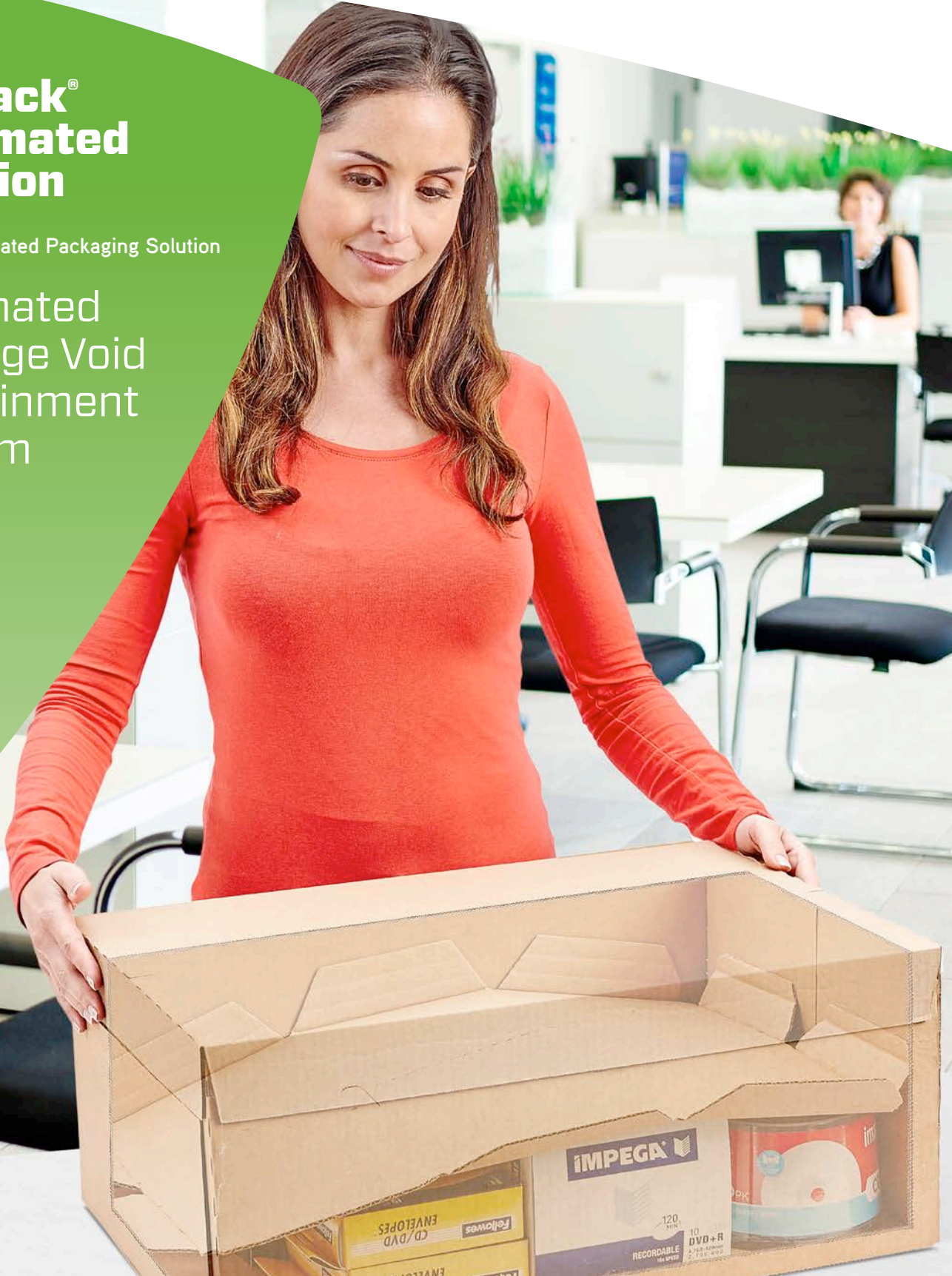


Ultipack[®] Automated Solution

Automated Packaging Solution

Automated
Package Void
Containment
System



Automated Package Void Containment System

The Ultipack® system automates the process of corrugated tray forming. The wedging module inserts a flexible corrugated blank (the wedge) in the tray, locking items in place and a lid is automatically sealed in place.

IDEAL FOR FULFILLMENT APPLICATIONS
The Ultipack® system is designed for fulfillment operations where the goal is to minimize costs — shipping, consumables, and operating — while optimizing productivity.

INCREASE FULFILLMENT VELOCITY

- Fully-automated, integrated solution
- Industry-best throughput
- The perfect material amount is used every time, eliminating waste
- Material can be sourced locally

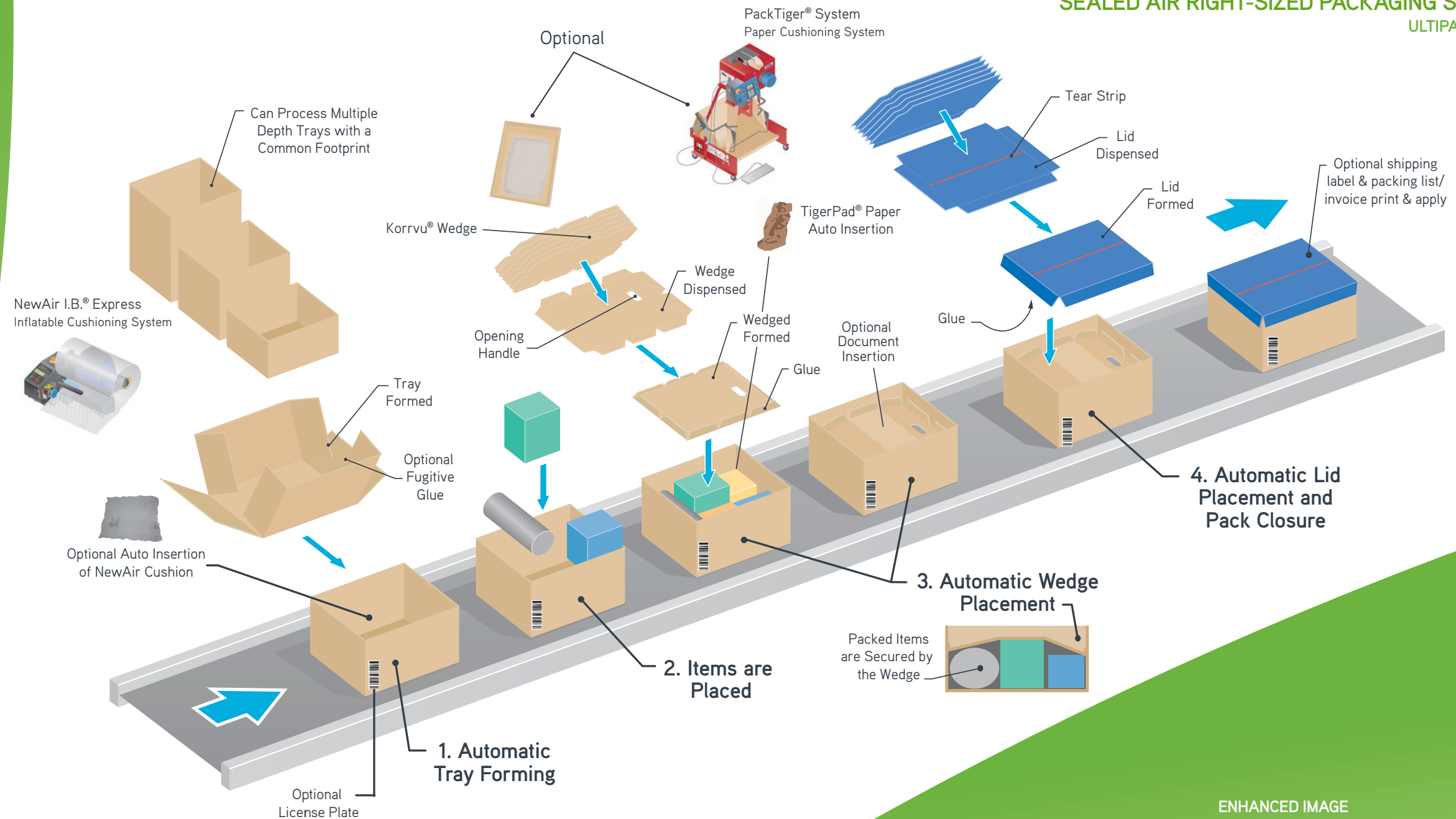
IMPROVE CUSTOMER EXPERIENCE

- Package is neat and easy to open
- Innovative packaging solution enhances brand image
- Custom print to convey brand image

REDUCE DAMAGE

- Patented package construction keeps items secure in transit
- Additional cushioning can be auto-inserted when you need it

SEALED AIR RIGHT-SIZED PACKAGING SOLUTIONS ULTIPACK® PROCESS



Ultipack® System Protects

CREATE AN UNRIVALED CUSTOMER EXPERIENCE
Sealed Air's dedicated team of packaging professionals will work with you to design the custom Ultipack® system solution that will meet the needs of your customers, and your packaging operation, adding value long after the carton is sealed.

ENHANCED IMAGE

Sustainable Solution

- The 100% corrugated package is "curb-side" recyclable.

Excellent Customer Experience

- The finished appearance of the package enhances brand image.

Unique Packaging Possibilities

- The three pieces of the package can be printed differently.

Easy to Open

- The built-in tear strip makes opening an easy pull.

Ultipack[®] Automated Solution

Automated Packaging Solution

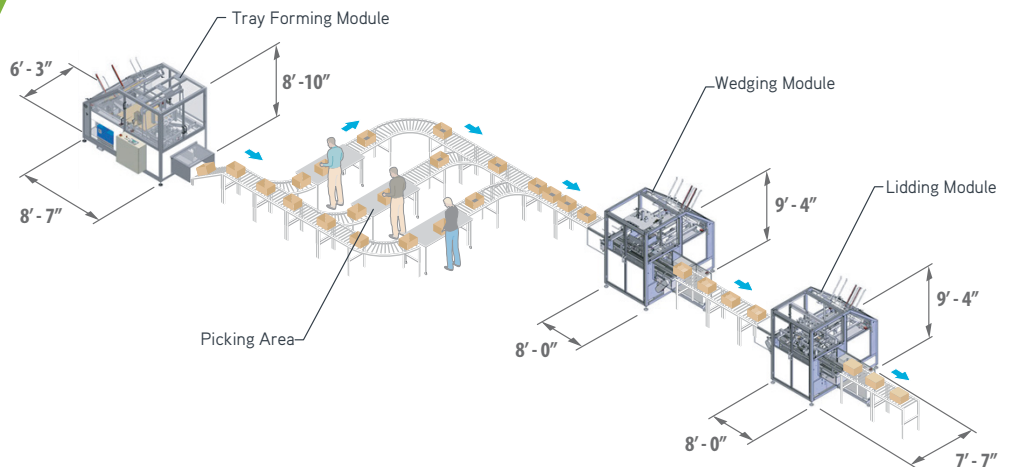
Automated Package Void Containment System

PAKFORMANCE™ REMOTE REPAIR

The PakFormance™ system allows remote service with Sealed Air's I-Pack[®] and Ultipack[®] packaging automation systems.

The PakFormance™ system offers a wide range of benefits that include monitoring capabilities for quick detection of problems, process automation for labor savings, product flow control, product tracking and traceability, remote maintenance, and powerful analysis and reporting tools.

TYPICAL APPLICATION



SPECIFICATIONS/REQUIREMENTS

	Throughput	Dimensions (LxWxH)	Weight	Electrical Req.	Air Req.
Tray Forming Module	18-24 tray/min	8' - 7" x 6' - 3" x 8' - 10"	2,870 lbs.	230 or 460 VAC ~ 3 Phase 30 Amp 50/60 Hz	87 psi 4 cfm
Wedging Module	8-10 wedges/min	7' - 7" x 8' - 0" x 9' - 4"	2,870 lbs.	230 or 460 VAC ~ 3 Phase 30 Amp 50/60 Hz	87 psi 29 cfm
Lidding Module	8-18 lids/min	7' - 7" x 8' - 0" x 9' - 4"	2,870 lbs.	230 or 460 VAC ~ 3 Phase 30 Amp 50/60 Hz	87 psi 5 cfm
Pack Tiger [®]	Up to 150/min	34" x 27" x 59"	309 lbs. w/o roll	110 - 120 VAC ~ 1 Phase 9.1 Amp 50/60 Hz	n/a
NewAir I.B. [®] Express	65lf/min	2' - 5" x 2' - 2" x 1' - 7" / .74m x .66m x .48m	81 lbs. w/o roll	100 - 120 VAC ~ 1 Phase 3 Amp 50 Hz	n/a
Korrvu [®]	Interchangeable with corrugated wedge				

